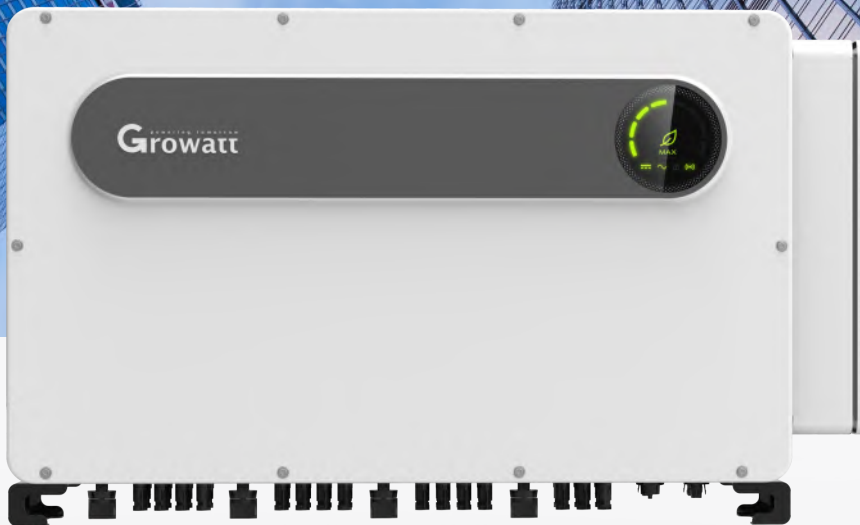
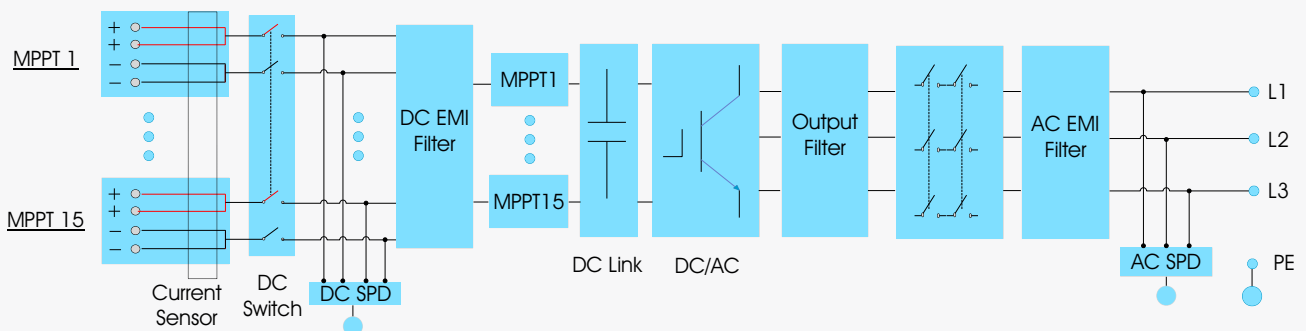


MAX 185~253KTL3 HV

- Up to 15 MPPTs, fuse free design
- MAX efficiency 99%, high yield
- Smart I/V scan and diagnosis
- Intelligent string monitoring
- DC side 2 in 1 connection enabled
- Optional Anti-PID/Night SVG/AFCI function
- Data storage up to 25 years



Topology Diagram



Datasheet	MAX 185KTL3 HV	MAX 216KTL3 HV	MAX 250KTL3 HV	MAX 253KTL3 HV
Input data (DC)				
Max. DC voltage	1500V			
Start voltage	500V			
Nominal voltage	1080V			
MPP voltage range	500V-1500V			
No. of MPP trackers	9	9	12	15
No. of PV strings per MPP tracker	2			
Max. input current per MPP tracker	30A			
Max. short-circuit current per MPP tracker	50A			
Output data (AC)				
AC nominal power	185KW	216KW	250KW	253KW
Max. AC apparent power	185KVA@30°C 175KVA@40°C 160KVA@50°C	216KVA@30°C 200KVA@40°C 192KVA@50°C	250KVA@30°C 230KVA@45°C 220KVA@50°C	253KVA@30°C 230KVA@45°C 220KVA@50°C
Nominal AC voltage (range*)	800V (640-920V)			
AC grid frequency (range*)	50/60 Hz (45-55Hz/55-65 Hz)			
Max. output current	133.5A	155.9A	180.4A	182.6A
Adjustable power factor	0.8leading ...0.8lagging			
THDI	<3%			
AC grid connection type	3W+PE			
Efficiency				
Max. efficiency	99.0%			
European efficiency	98.7%	98.7%	98.7%	98.5%
MPPT efficiency	99.9%			
Protection devices				
DC reverse polarity protection	Yes			
DC switch	Yes			
AC/DC surge protection	Type II / Type II			
Insulation resistance monitoring	Yes			
AC short-circuit protection	Yes			
Ground fault monitoring	Yes			
Grid monitoring	Yes			
Anti-islanding protection	Yes			
Residual-current monitoring unit	Yes			
String monitoring	Yes			
AFCI protection	Optional			
Anti-PID function	Optional			
LVRT	Yes			
HVRT	Yes			
Night SVG	Optional			
General data				
Dimensions (W / H / D)	1120/670/370mm			
Weight	95kg	95kg	99kg	109kg
Operating temperature range	-30°C ... +60°C			
Nighttime power consumption	< 1W			
Topology	Transformerless			
Cooling	Smart air cooling			
Protection degree	IP66			
Relative humidity	0-100%			
Altitude	4000m			
DC connection	Staubli MC4/Amphenol UTX			
AC connection	OT Terminal connectors (Max. 300mm ²)			
Display	LED/WIFI+APP			
Interfaces: RS485 / USB /PLC	Yes/Yes /Optional			
Warranty: 5 years / 10 years	Yes /Optional			

CE, IEC62116/61727, IEC60068/61683, IEC60529, PEA, MEA, VDE0126, Greece, NRS097-2-1:2017, CEA2019

* The AC voltage range and frequency range may vary depending on specific country grid standard.
All specifications are subject to change without notice.